

CABLE 155 RF: RF CABLE ASSEMBLY, I-PEX MHF + FRONT MOUNT TNC BULKHEAD JACK WITH O-RING + RG178 CABLE

SPECIFICATIONS :

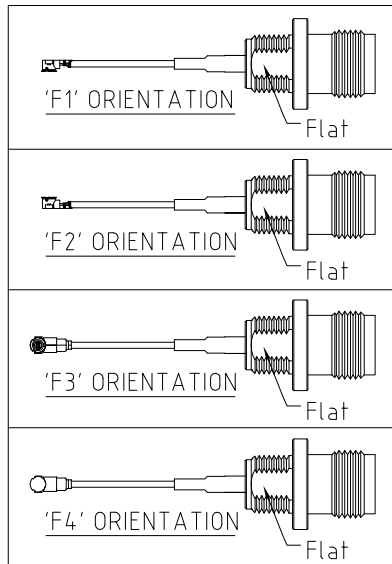
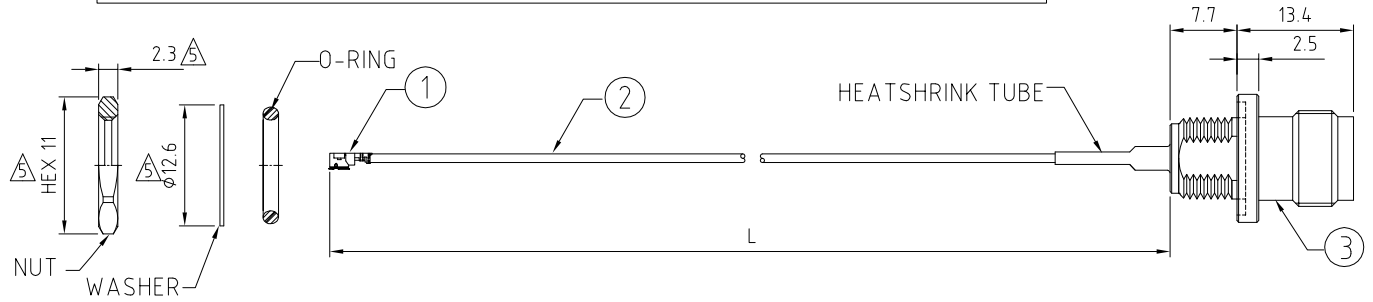
1. I-PEX MHF PLUG, P/N: 20278-112R-18.
2. RG178 COAXIAL CABLE, COLOR: BROWN.
3. FRONT MOUNT TNC BULKHEAD JACK WITH O-RING, P/N: C18CU3F178023-1.

NOTES:

1. THE ORIENTATION OF CONNECTORS ON DRAWING IS FOR REFERENCE ONLY, IF THE ORDER IS LEFT BLANK THE CONNECTOR WILL NOT HAVE FIXED ORIENTATION.
2. FIXED ORIENTATION IS SUGGESTED FOR CABLE LENGTH 25MM TO 100MM. PLEASE SPECIFY THE FIXED ORIENTATIONS FROM THE ORDER CODE (F1, F2, ETC)
3. CONTACT GRADCONN IF THE ORIENTATION YOU REQUIRE IS NOT SHOWN.
4. WORKING FREQUENCY RANGE: DC-6GHz.
5. IT IS INTENDED THAT MOUNTING OF THIS CONNECTOR IS ACHIEVED USING THE NUT AND WASHER PROVIDED. PLEASE CONTACT GRADCONN FOR ADVISE IF PLANNING TO USE A DIFFERENT METHOD OF MOUNTING. .

USAGE PRECAUTIONS: CABLES USING 'MICRO' COAX ARE DELICATE:

- (i) HANDLE WITH CARE.
- (ii) DO NOT TWIST; APPLY EXCESSIVE FORCES OR SHARP BENDS TO THE CABLE. DO NOT FORCEFULLY DEFORM WIRES.
- (iii) CONSULT CONNECTOR MANUFACTURER'S DATASHEETS FOR DETAILED NOTES ON HANDLING INSTRUCTIONS.



HOW TO ORDER

CABLE 155 RF - XXX - XX - X - 3

"L" LENGTH IN MM:

- eg: 100MM = 100
- (MIN. 025-MAX.400)
- STANDARD = 100, 150, 200)
- Tolerance: <50mm : ±2mm.
- 51-200mm: ±5mm.
- 201-400mm: ±7mm.

CABLE SIZE:

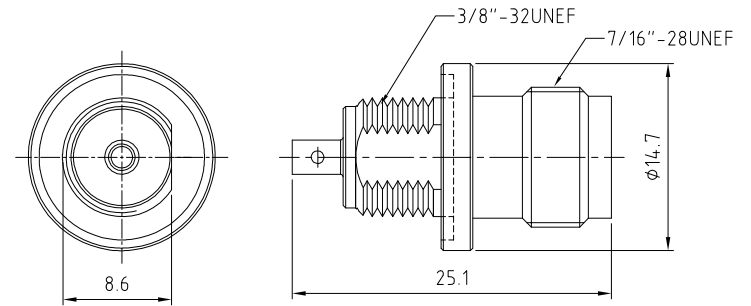
3 = RG178 CABLE, COLOR: BROWN

O-RING, WASHER AND NUT OPTIONS:

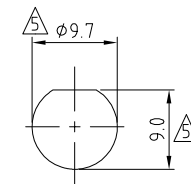
- BLANK = SEPARATELY PACKED (STANDARD)
- A = ALL ASSEMBLED WITH CONNECTOR

ORIENTATION OPTIONS:

- BLANK = DOES NOT HAVE A FIXED ORIENTATION
 - F1 = MHF CONNECTION DOWN (L=25-220MM)
 - F2 = MHF CONNECTION UP (L=25-220MM)
 - F3 = MHF CONNECTION & TNC FLAT SAME ORIENTATION
 - F4 = MHF CONNECTION & TNC FLAT OPPOSITE ORIENTATION
- (SEE NOTES 1, 2, 3 AND DIAGRAMS FOR MORE INFORMATION)



TNC DETAIL DRAWING



RECOMMENDED TNC MOUNTING HOLE

| | |
|--|---------------------------|
| REV. DATE & DRN | 10 05/17/13 - NYW RELEASE |
| 11 16/07/14 - NYW REMOVE CABLE SIZE OPTION 1 (1.13MM) | |
| 12 12/09/14 - R-JH ADD F4 OPTION | |
| 13 08/10/15 - R-JH ADD 113 CABLE OPTION. | |
| 14 08/12/15 - NYW REMOVE 1 & 2 CABLE OPTION. ADD RG178 CABLE OPTION 3. | |
| 15 07/07/16 - NYW ADD AREAD DIMENSIONS. | |
| 16 17/08/20 - NYW ADD NOTE 5 | |

| | | | | |
|-------------------|-----------------------|----------------------------|-----------------------------|--------------------|
| Scale: NTS | THIRD ANGLE | Unstated X .XX .XXX ANGLES | Tolerances: N/A N/A N/A N/A | Material: SEE NOTE |
| Drawn: NYW | | | | |
| App'd: XXX | Title: CABLE ASSEMBLY | NOT TO SCALE | | |
| Date: 17 AUG. '20 | Revision: 1.6 | Unit: mm | | |

www.gradconn.com

THIS DRAWING IS CONFIDENTIAL AND MUST NOT BE COPIED OR DISCLOSED WITHOUT WRITTEN CONSENT

| |
|---------------------|
| Type: Cable 155 RF |
| CABLE 155 RF |
| Drawing Number: |
| Sheet 1 of 1 |
| Drawing © E and O E |